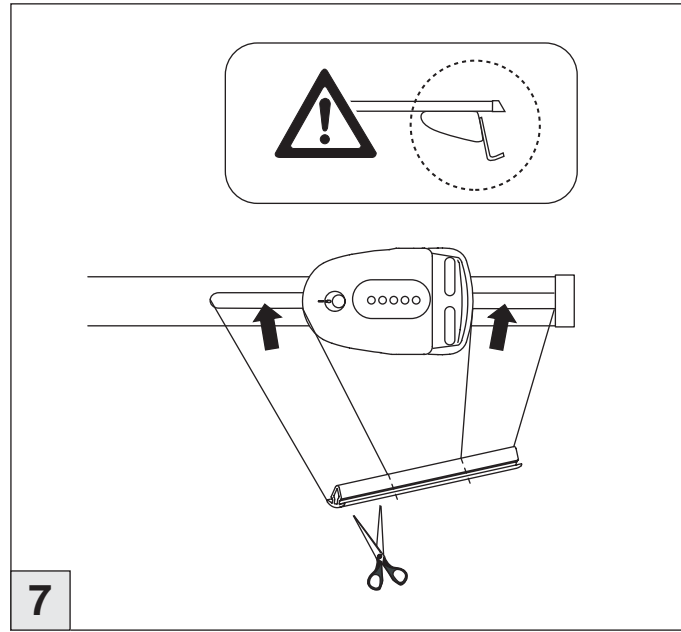
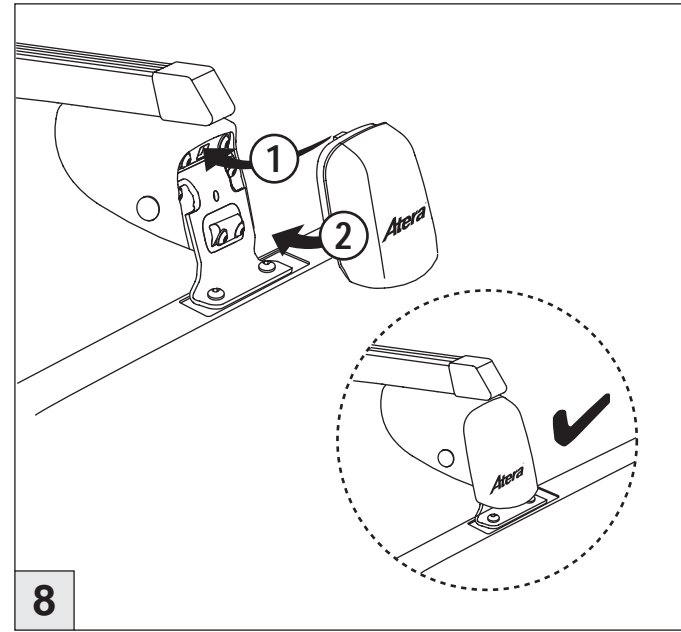


# Atera® SIGNO

Subaru  
Tribeca 11/2006–

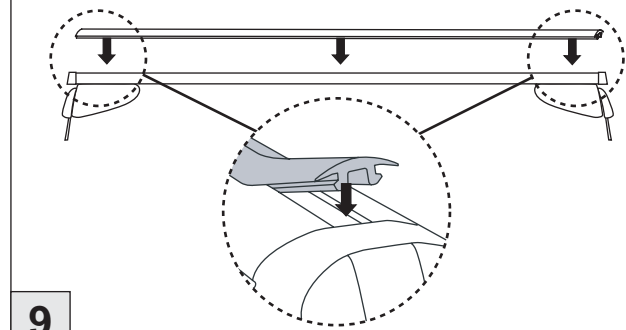


7

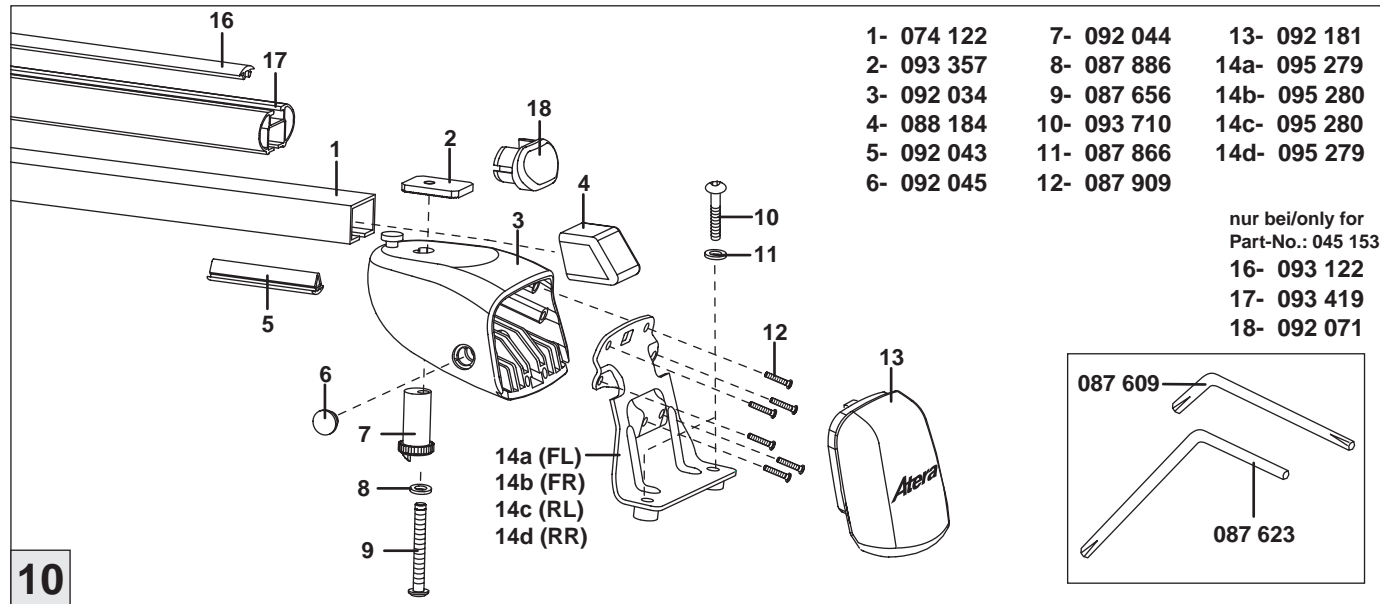
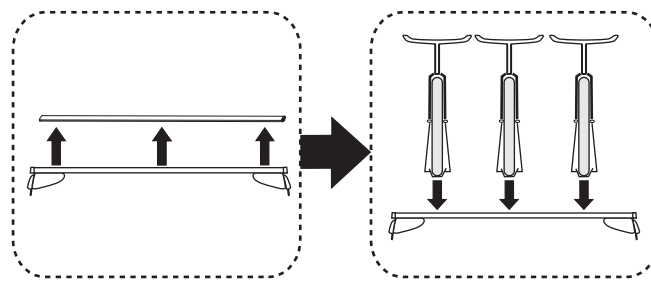


8

nur bei / only for Part-No.: 045 153



9



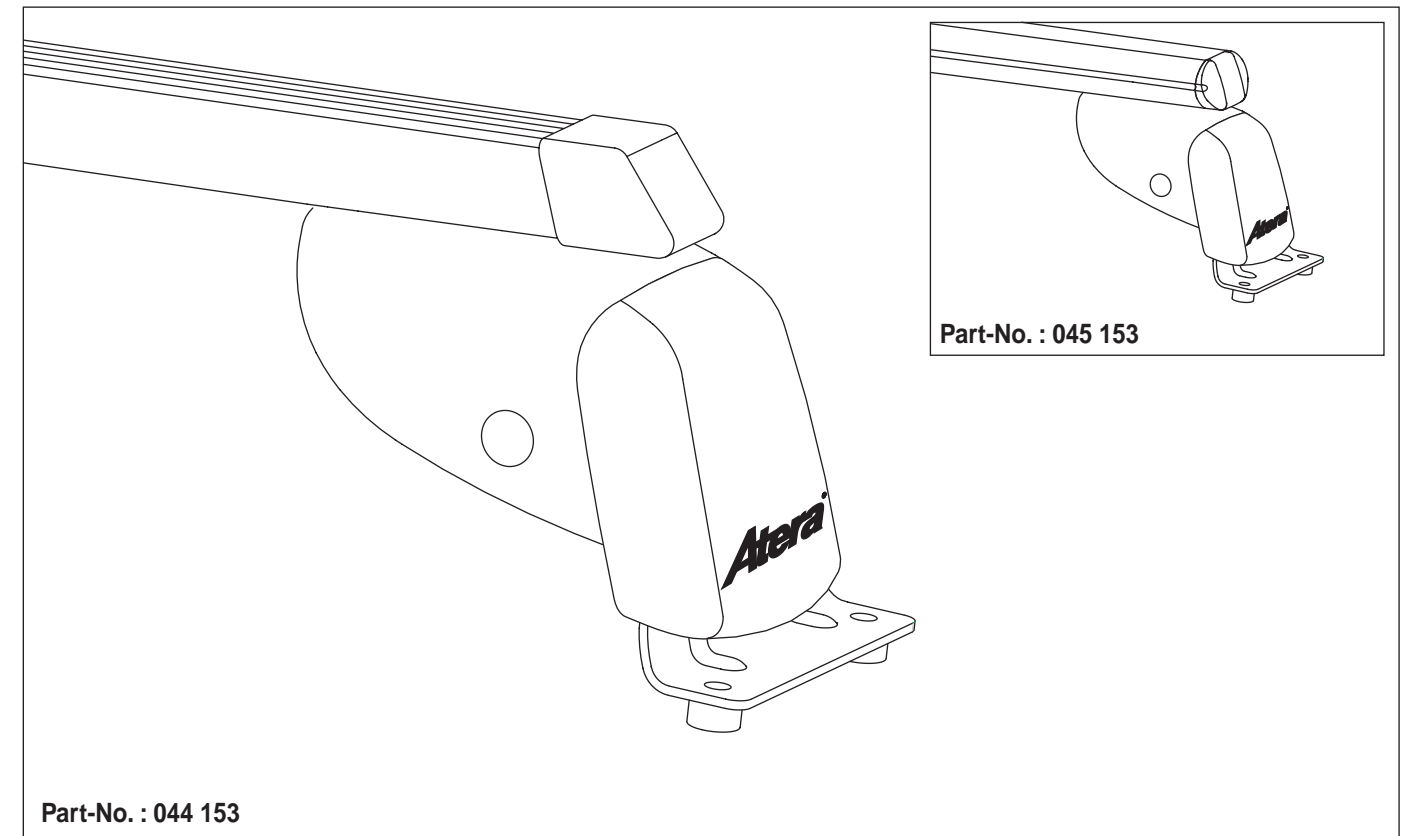
10

# Atera® SIGNO

Subaru  
Tribeca 11/2006–

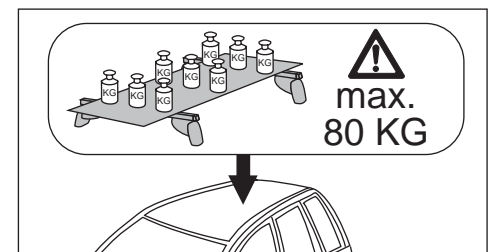
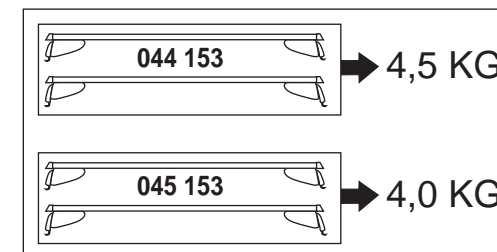
Part-No. : 044 153

Part-No. : 045 153



Part-No. : 044 153

Part-No. : 045 153

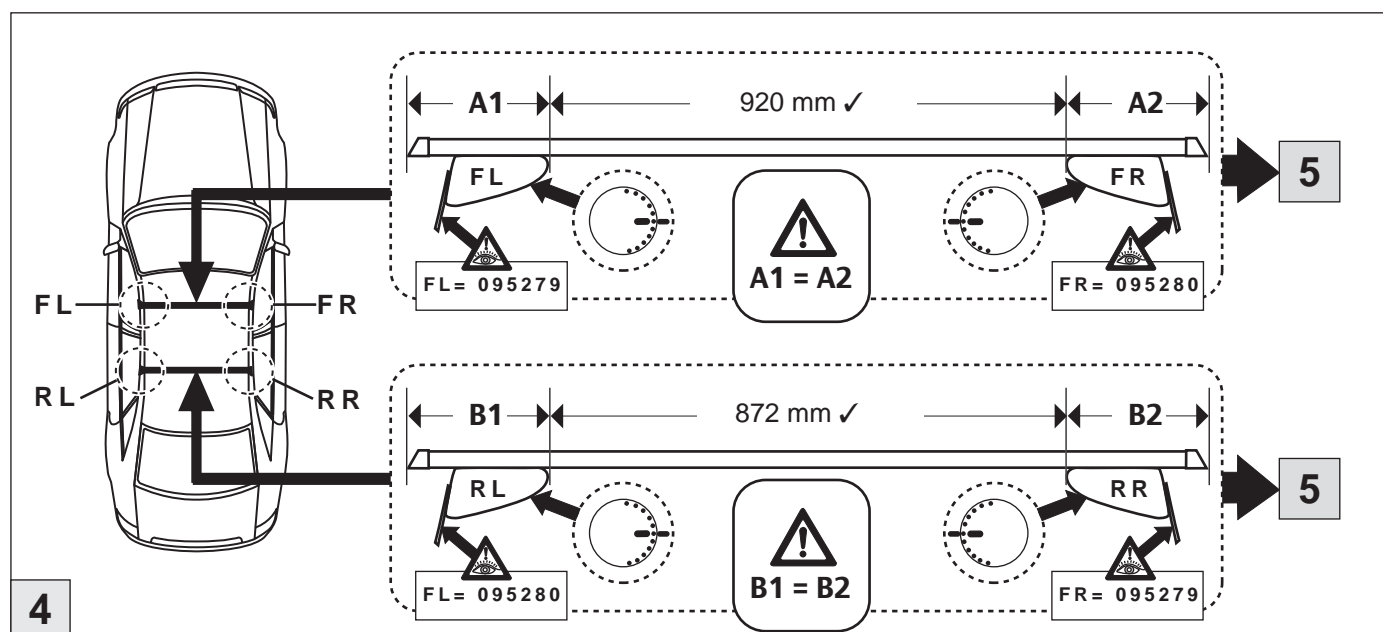
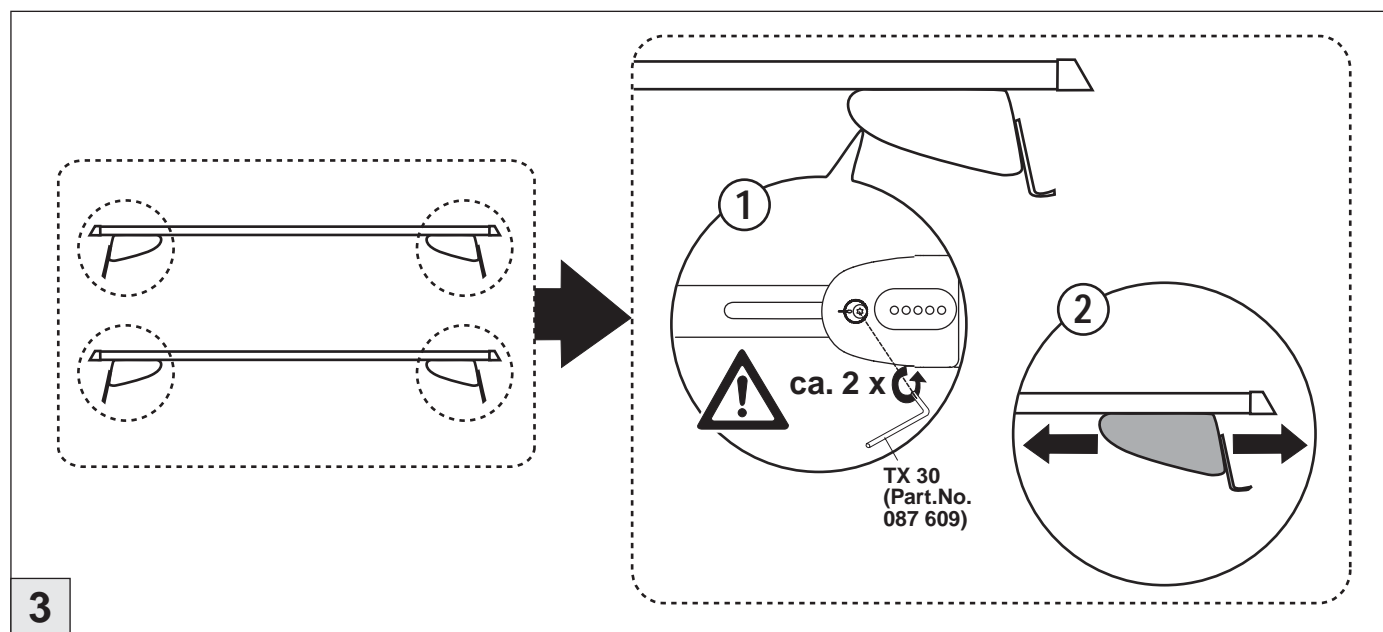
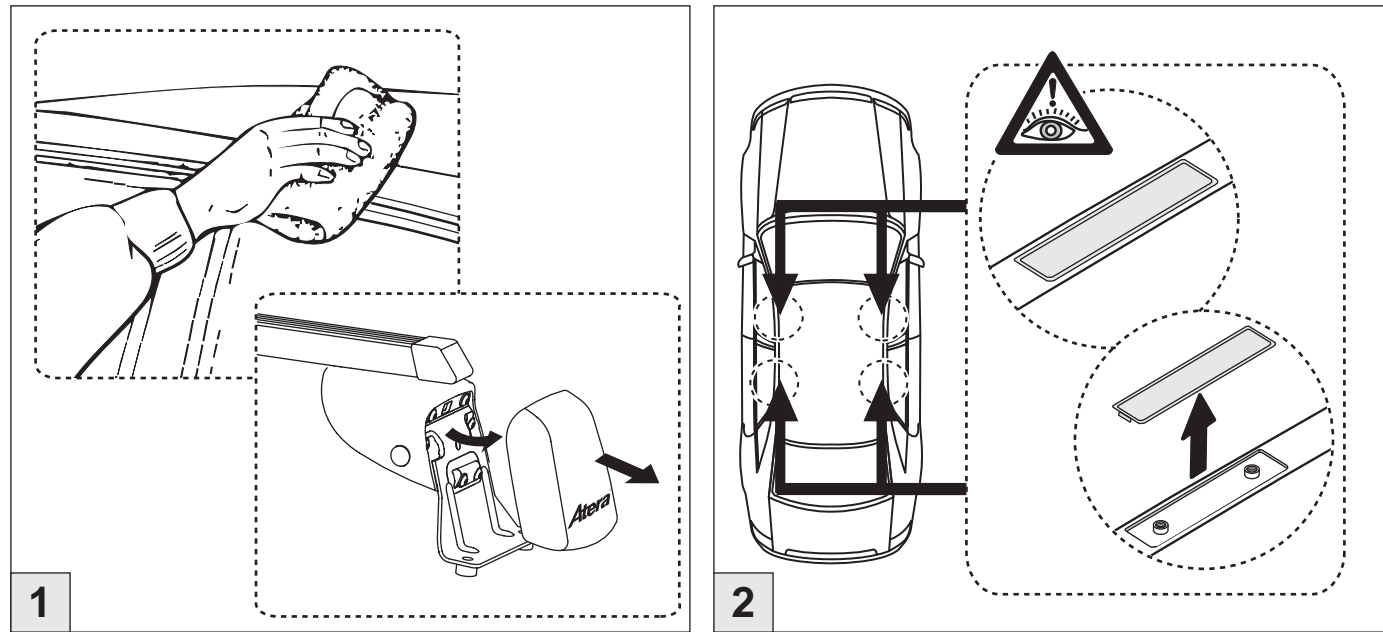


**Atera®**  
MADE IN GERMANY

Atera GmbH  
Postfach 2240  
D-88192 Ravensburg  
Telefon 07 51 - 76 04-0  
Telefax 07 51 - 76 04-76  
E-Mail: info@atera.de

# Atera® SIGNO

Subaru  
Tribeca 11/2006-



# Atera® SIGNO

Subaru  
Tribeca 11/2006-

