

# Atera SIGNO

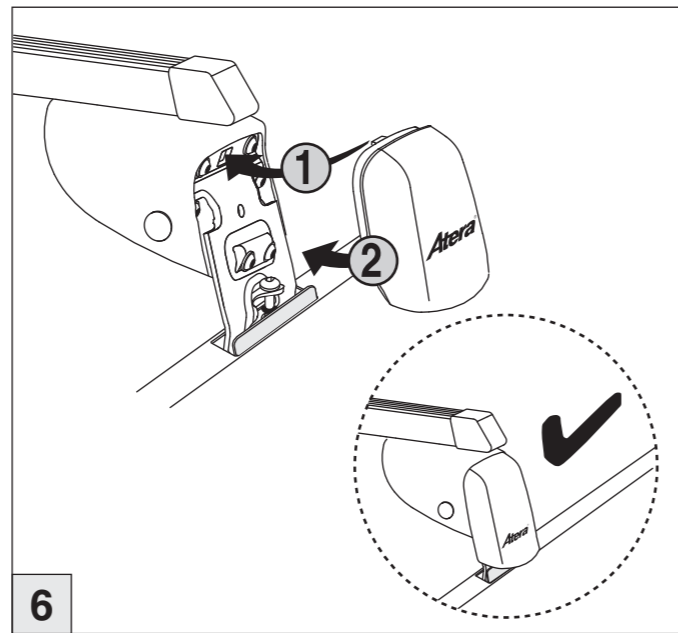
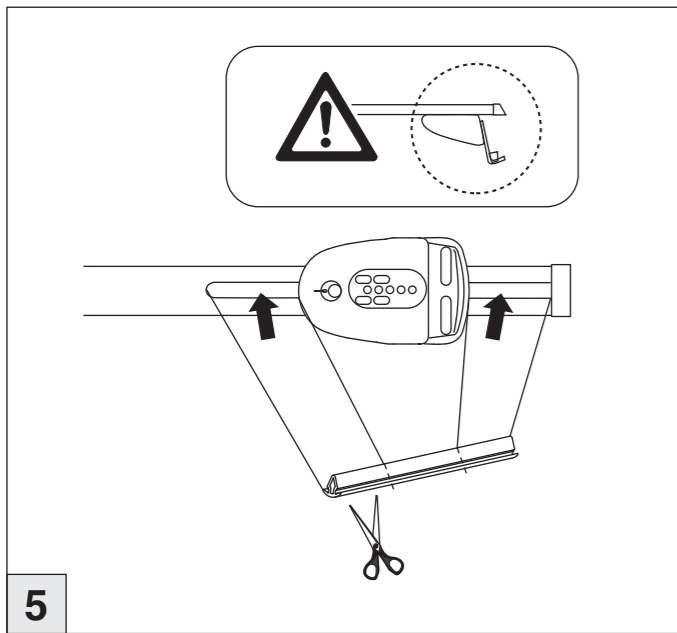
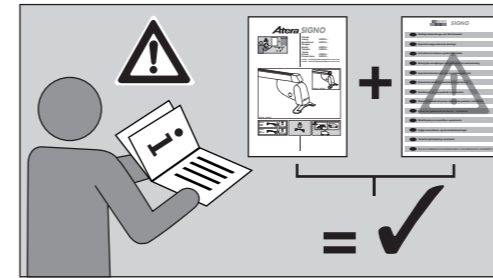
Toyota Proace + Proace Verso 09/2016 –

Citroën Jumpy + Spacetourer 09/2016 –  
Peugeot Expert + Traveller 09/2016 –

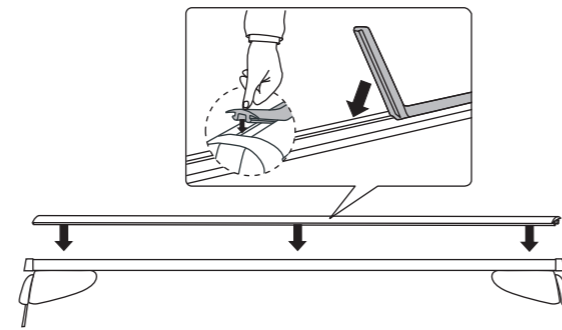
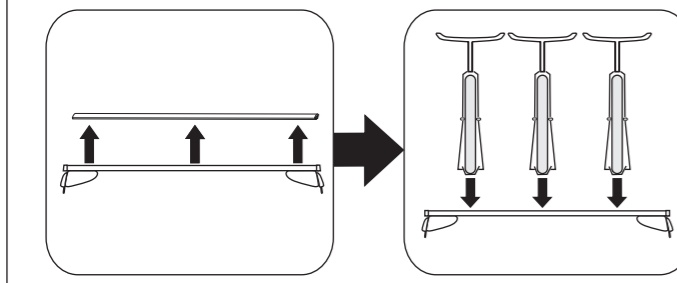
# Atera SIGNO

Citroën Jumpy 09/2016 –  
Spacetourer 09/2016 –  
Peugeot Expert 09/2016 –  
Traveller 09/2016 –  
Toyota Proace 09/2016 –  
Proace Verso 09/2016 –

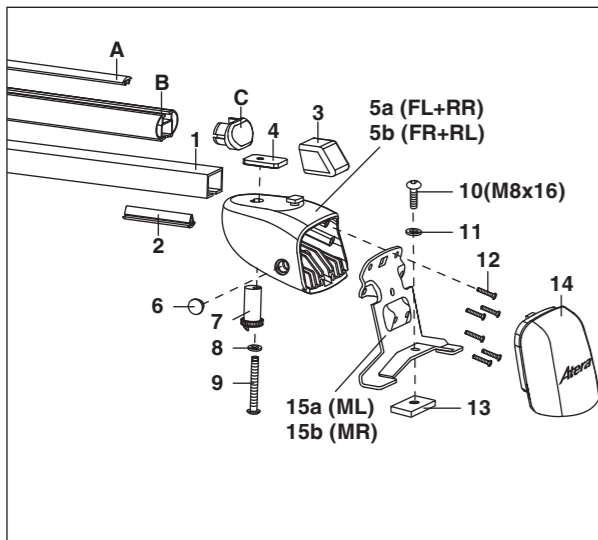
Part-No. : 044 345 (Ergänzungsträger/extra carrier bow)  
Part-No. : 045 345 (Ergänzungsträger/extra carrier bow)



nur bei / only for Part-No.: 045 345

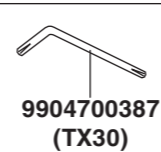


7

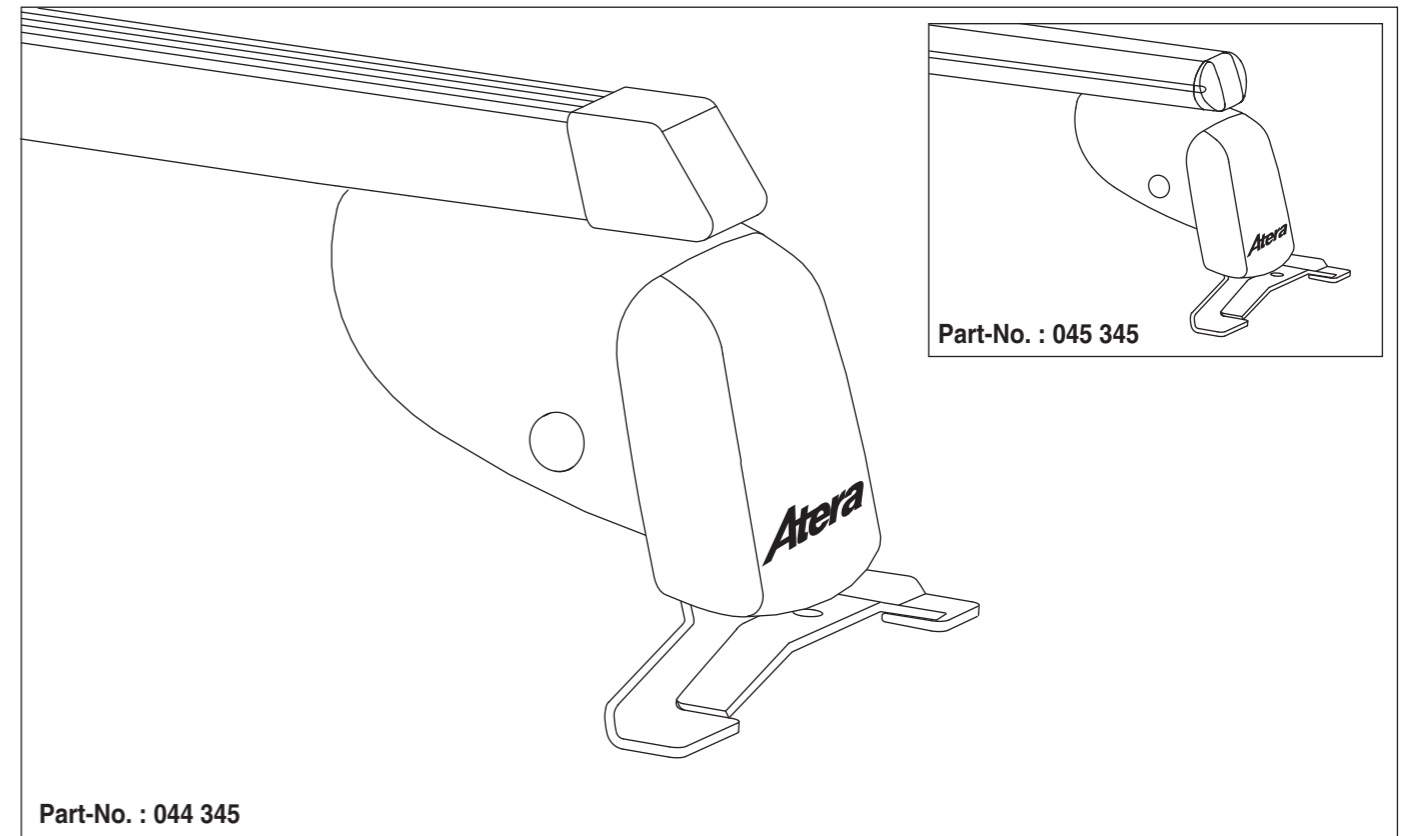


nur bei Art.Nr.: 045 345 11- 9910700036  
only for part no.: 045 345 12- 9908700010  
A- 9919700065 13- 9912005613  
B- 9945700113 14- 9918700243  
C- 9918700253 15a- 9949701738  
15b- 9949701738

1- 9945700093  
2- 9919700062  
3- 9945700105  
4- 9912700051  
5a- 9918700526  
5b- 9918700527  
6- 9918700250  
7- 9918700249  
8- 9910700004  
9- 9908700231  
10- 9908700224

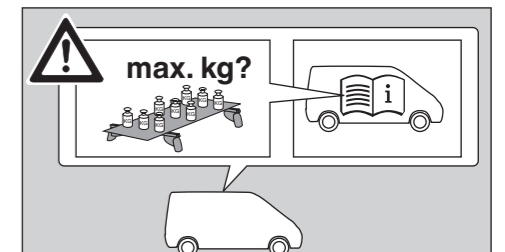


8



Part-No. : 044 345

044 345 (Stahl) (Steel)			2,2 kg
045 345 (Alu- minium)			2,0 kg



**Atera**  
MADE IN GERMANY

Atera GmbH  
Im Herrach 1  
D-88299 Leutkirch  
Internet: www.atera.de

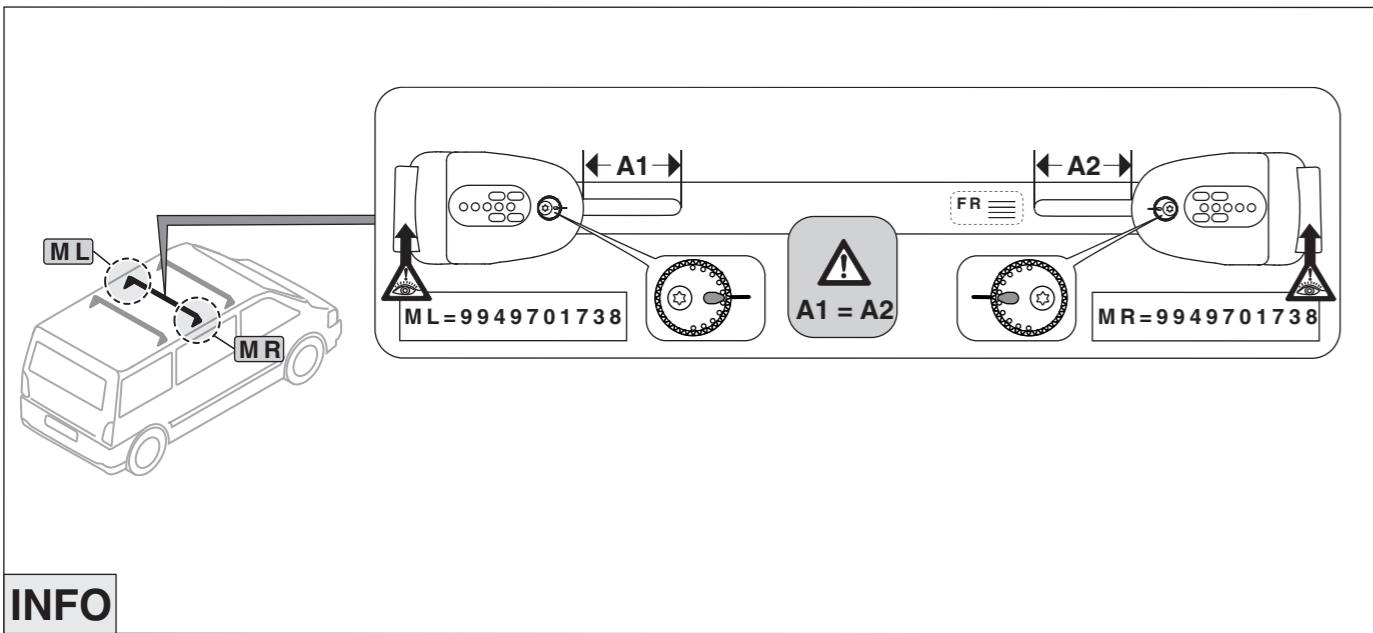


© ATERA GmbH  
Ref.-Nr.: 044 345\_096434434500\_992570050200  
Ref.-Nr.: 045 345\_096434534500\_992570050200  
Stand/State: 27/02/2017 – Rev 00 Ver 00

# Atera SIGNO

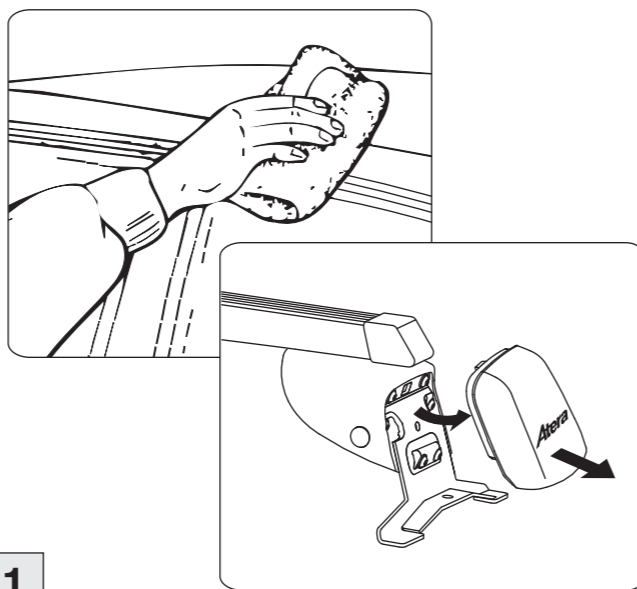
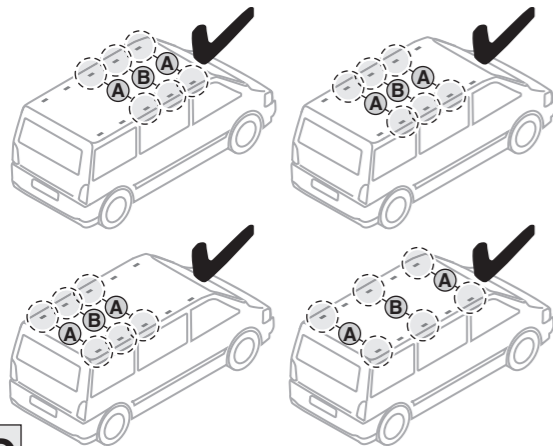
Toyota Proace + Proace Verso 09/2016 –

Citroën Jumpy + Spacetourer 09/2016 –  
Peugeot Expert + Traveller 09/2016 –



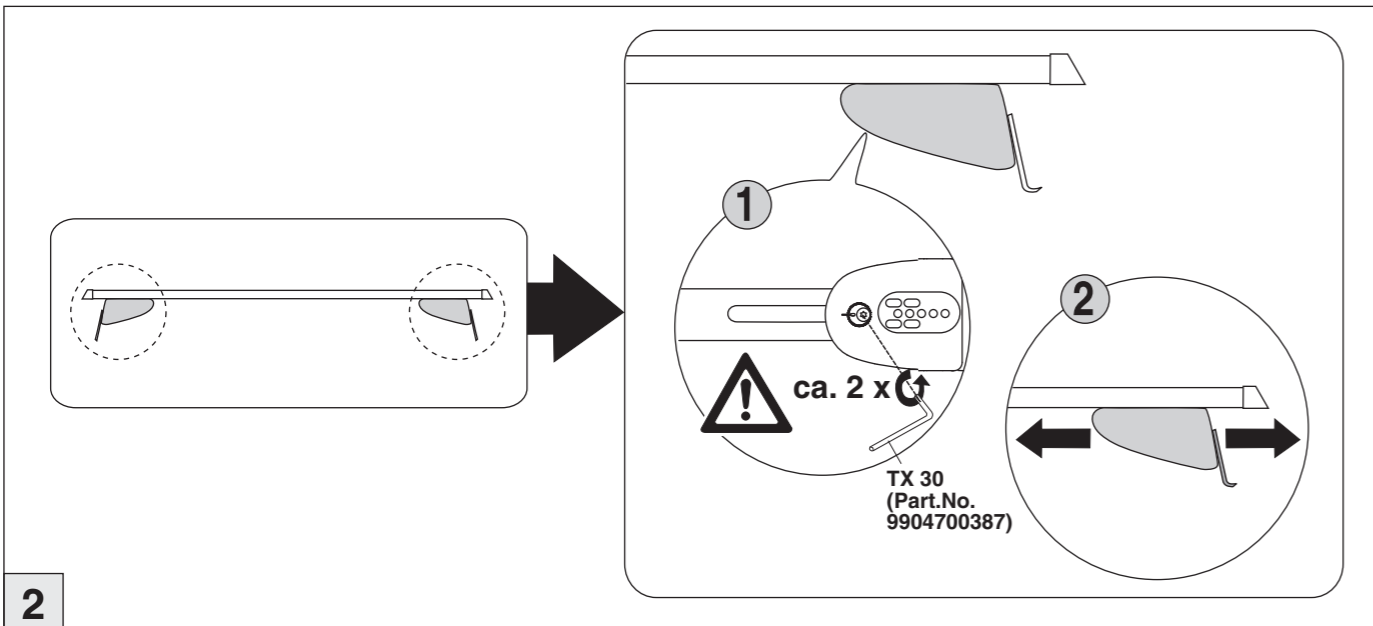
## INFO

- A** = Grundträger / basic carrier (044 344 / 045 344)
- B** = Ergänzungsträger / extra carrier bow (044 345 / 045 345)  
(immer in mittlerer Position zwischen den Grundträgern /  
always in middle position between the basic carrier bows)



1

## INFO

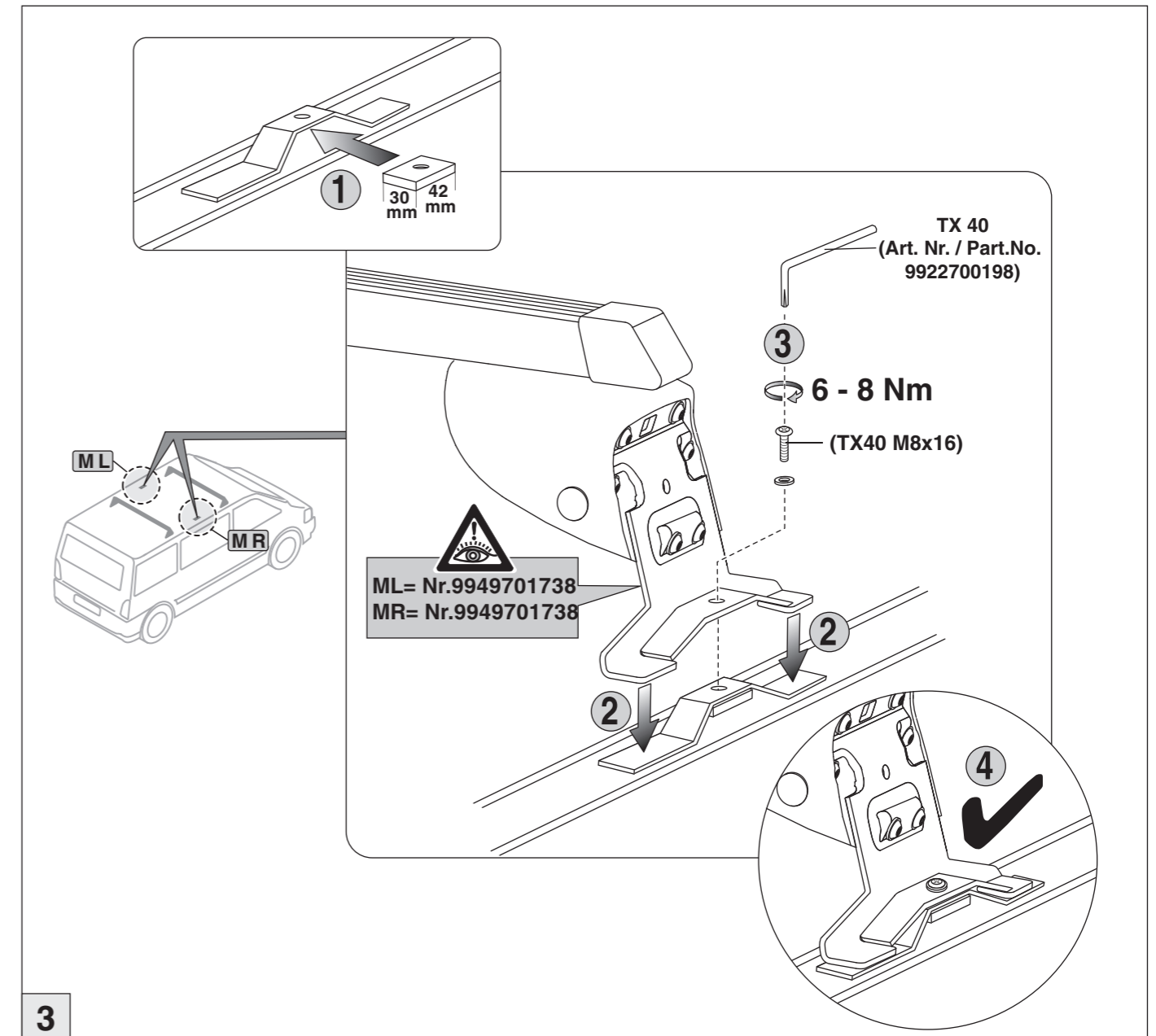


2

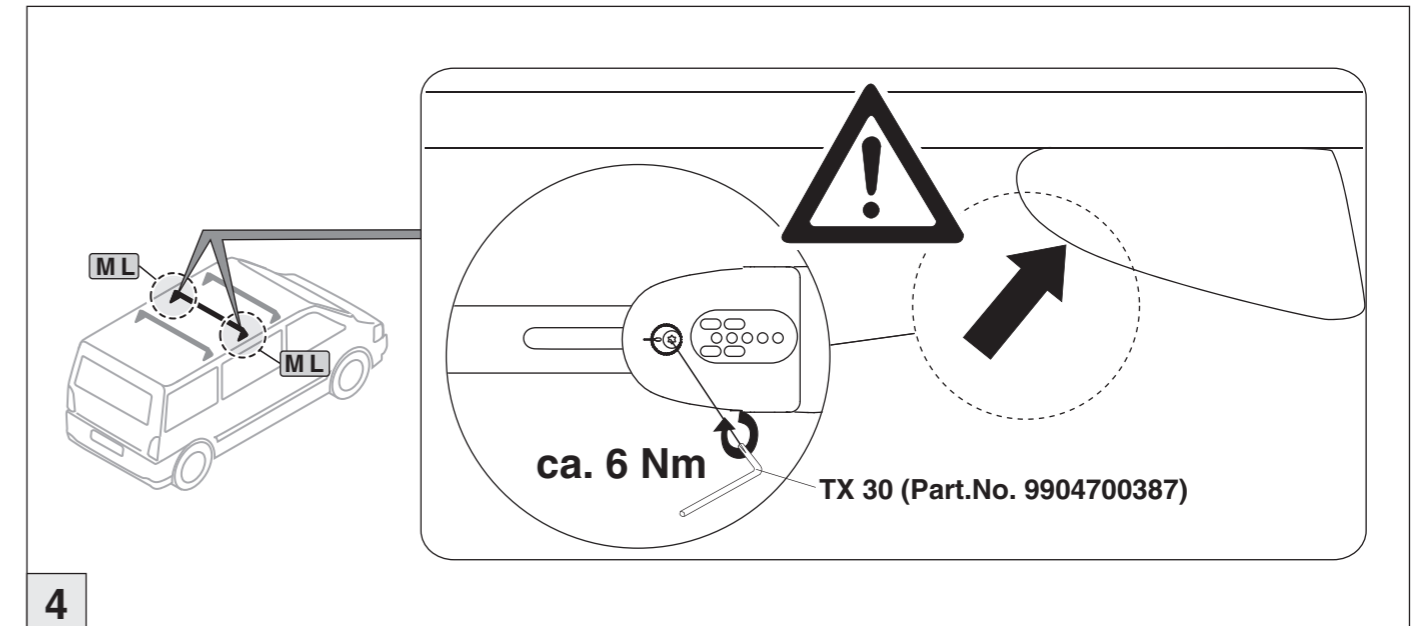
# Atera SIGNO

Toyota Proace + Proace Verso 09/2016 –

Citroën Jumpy + Spacetourer 09/2016 –  
Peugeot Expert + Traveller 09/2016 –



3



4