

# Atera SIGNO

VW T5 2003 – 06/2015  
VW T6 06/2015 –

# Atera SIGNO

VW

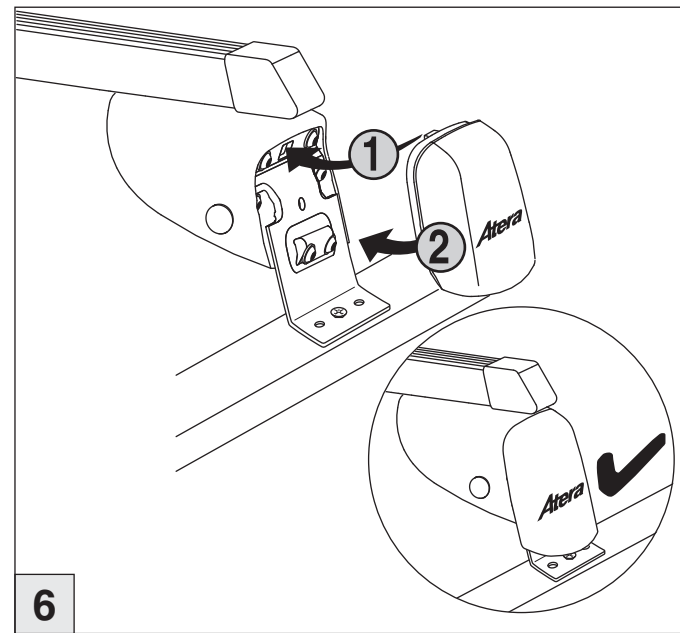
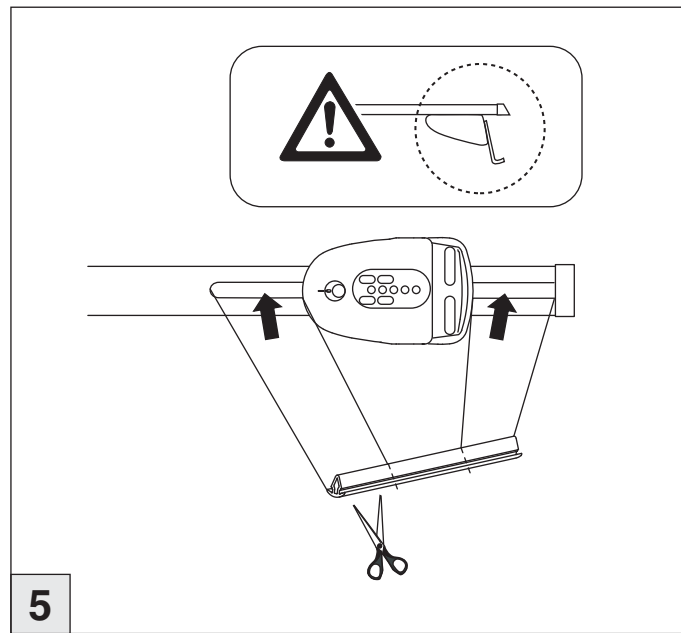
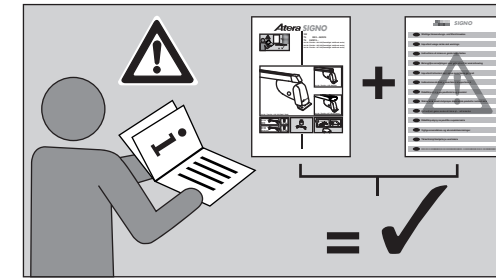
T5 2003 – 06/2015

T6 06/2015 –

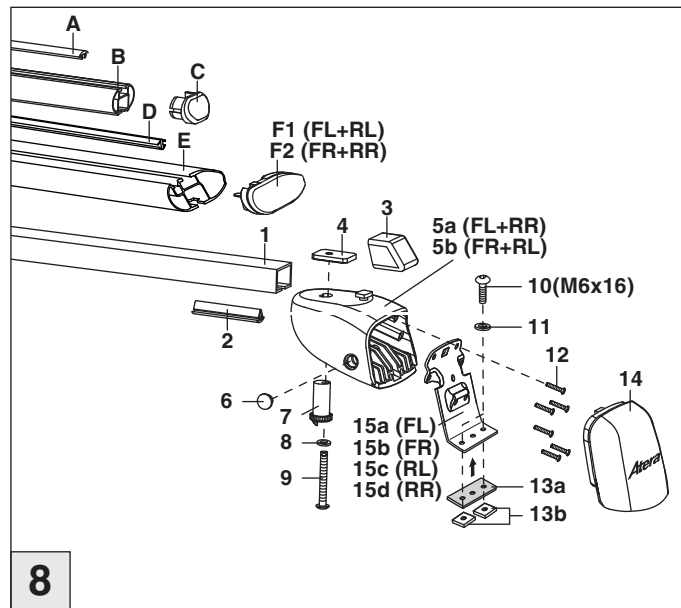
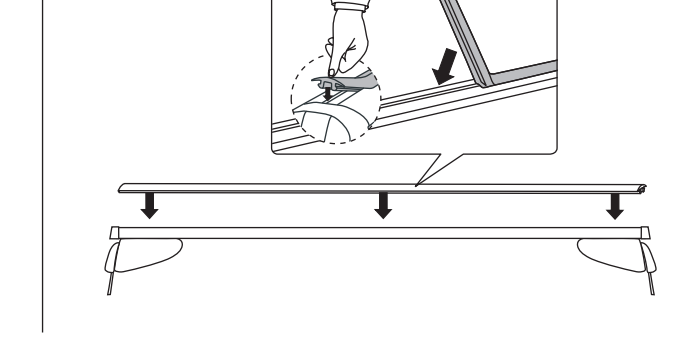
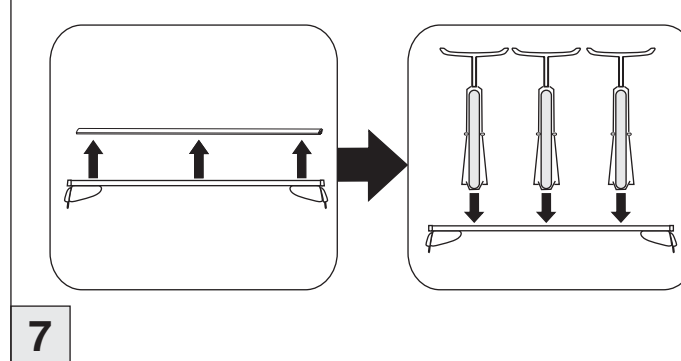
Art.-Nr. / Part-No. : 044 149 (Zusatzbügel / additional carrier)

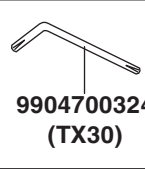
Art.-Nr. / Part-No. : 045 149 (Zusatzbügel / additional carrier)

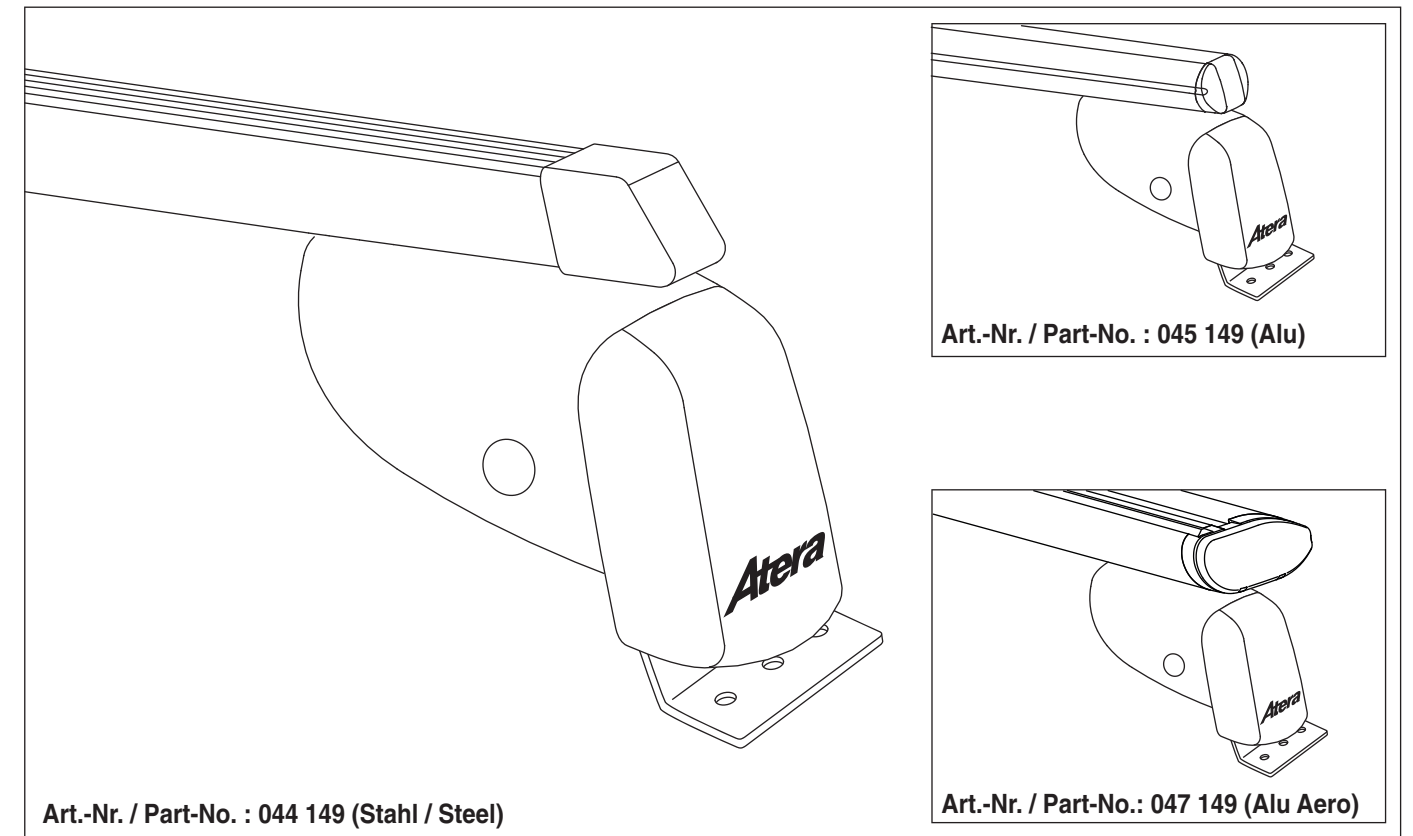
Art.-Nr. / Part-No. : 047 149 (Zusatzbügel / additional carrier)

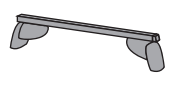

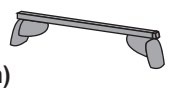



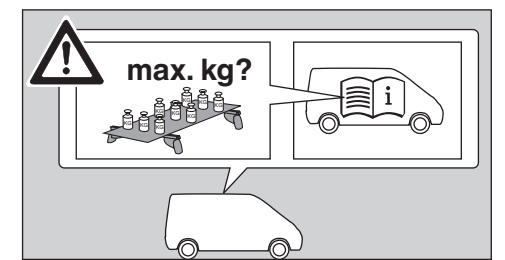
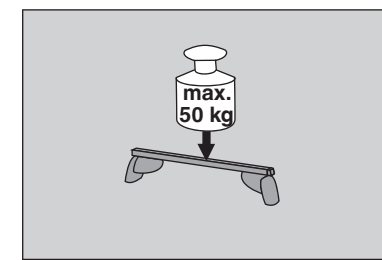
nur bei / only for Part-No.: 045 149



- |                            |                 |   |
|----------------------------|-----------------|---|
| nur bei Art.Nr.: 045 149   | 1- 9945700093   |  |
| only for part no.: 045 149 | 2- 9919700062   |   |
| A- 9919700065              | 3- 9945700105   |   |
| B- 9945700113              | 4- 9912700051   |   |
| C- 9918700253              | 5a- 9918700526  |   |
| nur bei Art.Nr.: 047 149   | 5b- 9918700527  |   |
| only for part no.: 047 149 | 6- 9918700250   |   |
| D- 9919700163              | 7- 9918700249   |   |
| E- 9945700224              | 8- 9910700004   |   |
| F1- 8828700062             | 9- 9908700231   |   |
| F2- 8828700063             | 10- 9908700244  |   |
|                            | 11- 9910700035  |   |
|                            | 12- 9908700010  |   |
|                            | 13a- 9926700023 |   |
|                            | 13b- 9912700059 |   |
|                            | 14- 9918700286  |   |
|                            | 15a- 9949700410 |   |
|                            | 15b- 9949700410 |   |
|                            | 15c- 9949700410 |   |
|                            | 15d- 9949700410 |   |



044 149 (Stahl) (Steel)		 <b>2,8 kg</b>
045 149 047 149 (Aluminium)		 <b>2,5 kg</b>




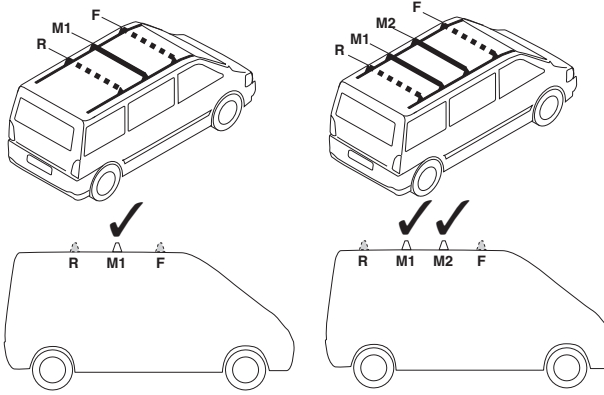
# Atera SIGNO

VW T5 2003 - 06/2015  
 VW T6 06/2015 -

# Atera SIGNO

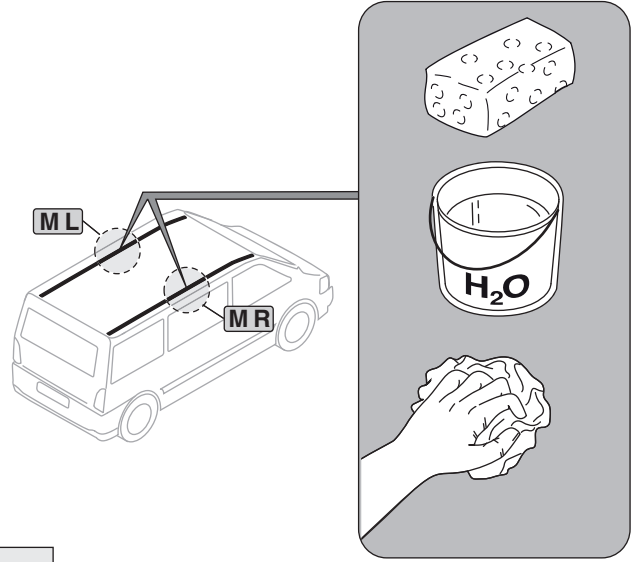
VW T5 2003 - 06/2015  
 VW T6 06/2015 -

 **F + R = Art.-Nr/Part-No. 044 148 / 045 148 / 047 148**  
 (Grundträger / basic carrier)  
**M1 + M2 = Art.-Nr/Part-No. 044 149 / 045 149 / 047 149**  
 (3./4. Zusatzbügel / 3rd/4th carrier bow)

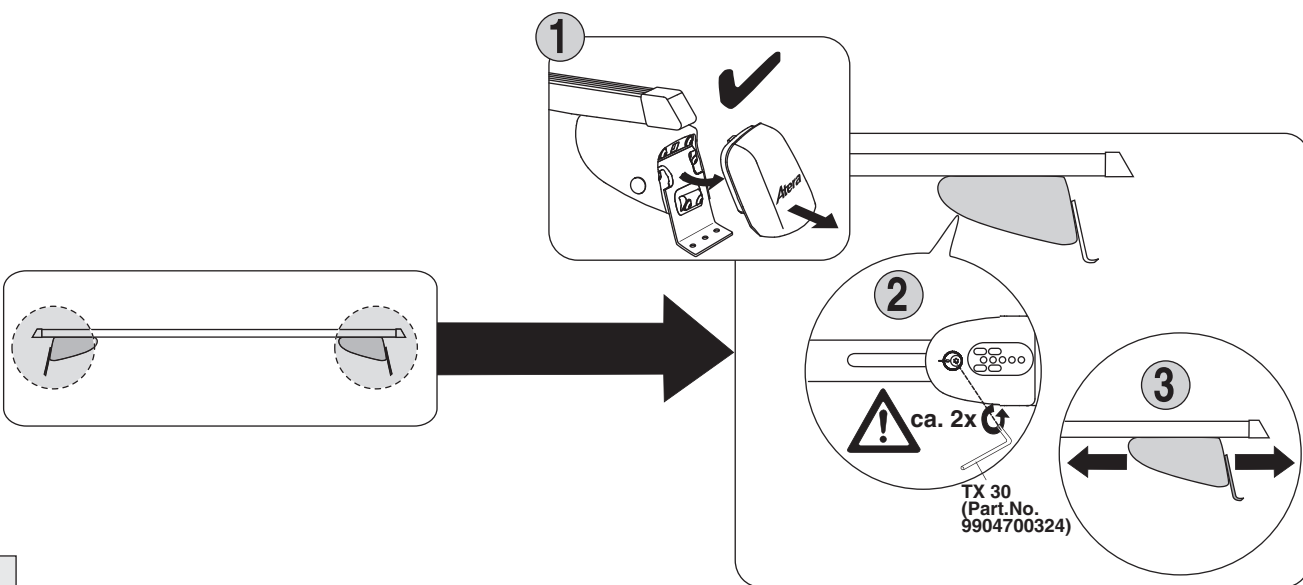


**INFO**

**1**

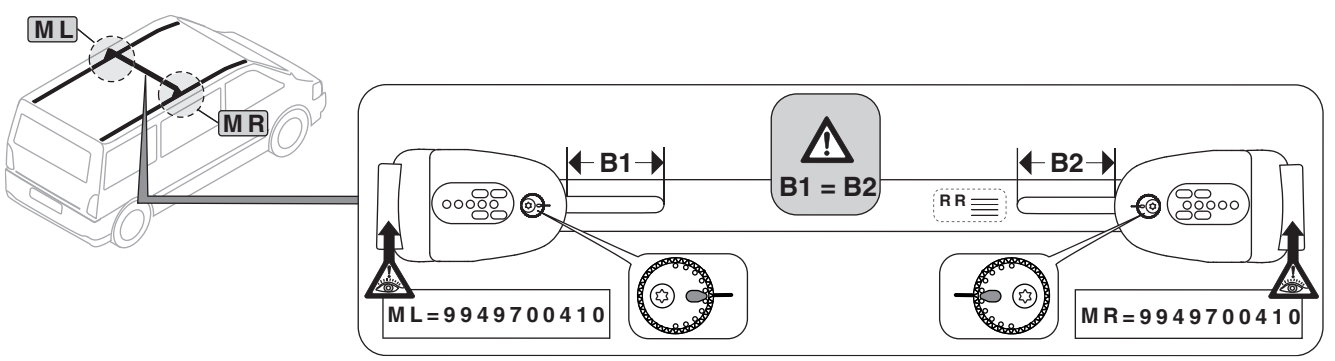


**2**



TX 30  
 (Part.No. 9904700324)  
 ca. 2x

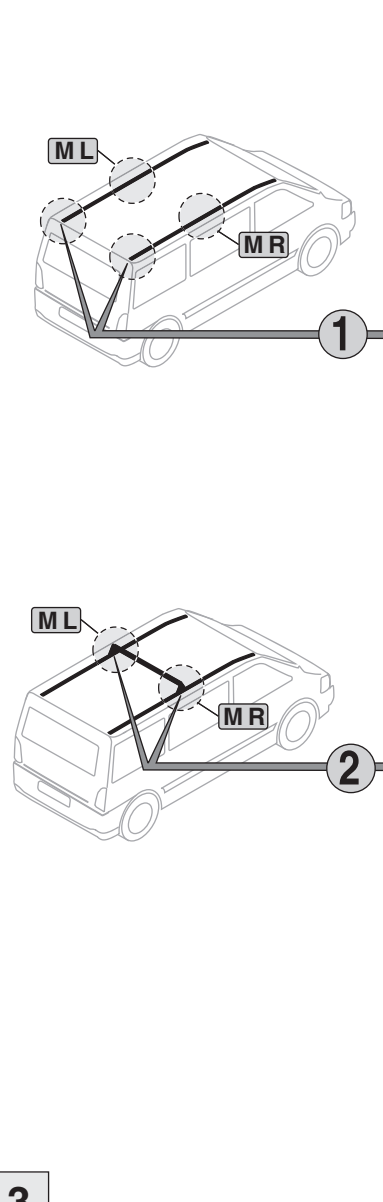
**INFO**



ML=9949700410  
 MR=9949700410  
 B1 = B2

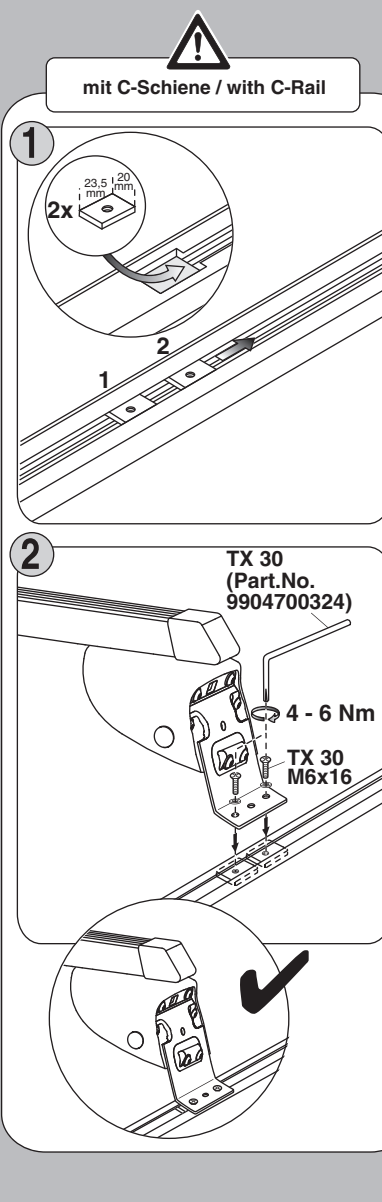
**3**

**mit C-Schiene / with C-Rail**



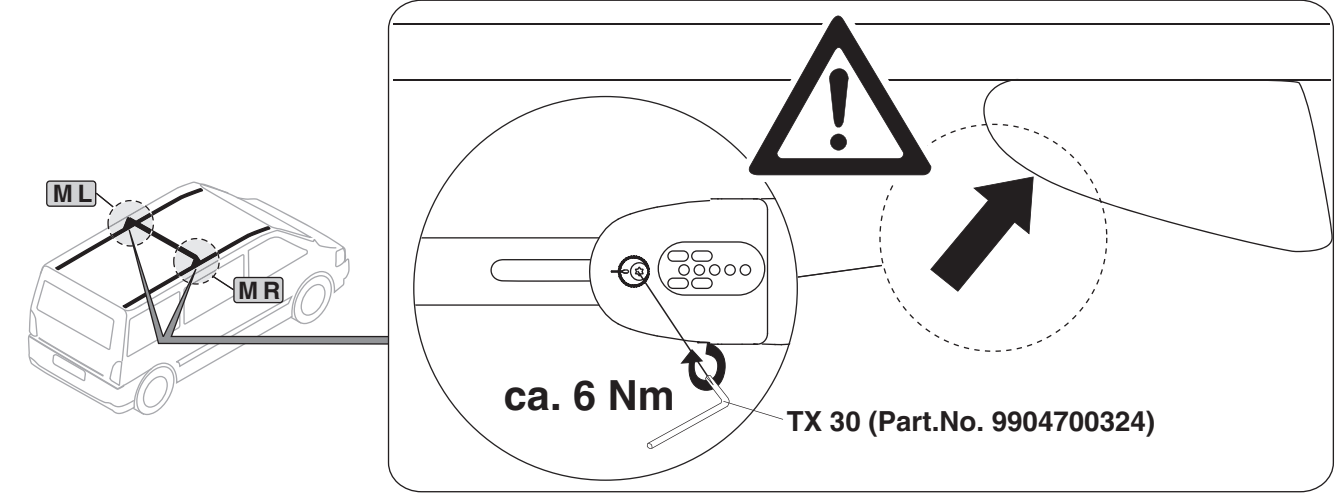
TX 30  
 (Part.No. 9904700324)  
 4 - 6 Nm

**ohne C-Schiene / without C-Rail**



TX 30  
 (Part.No. 9904700324)  
 4 - 6 Nm

**4**



ca. 6 Nm  
 TX 30 (Part.No. 9904700324)